

376A-3 PIR Activator

Three wire connection to Master Timer

The 376A-3 PIR Activator is part of the Elkay family of switches, timers and detectors which save energy and increase convenience in and around your home or business premises.



Product description

The 376A-3 PIR 3 wire Activator switch is a well-designed, aesthetically pleasing, and reliable electronic activation switch for interconnection with any Elkay master timer control for remote triggering. Any combination of activator units can be wired to any master, thus giving a variety of activation functions in one area all operating from one central master timer. Only one master timer is required per circuit. The Elkay 376A-3 PIR Activator must be used with an Elkay master timer from the Elkay family of switches. Walking across the activation zone will trigger the PIR Activator and activates the master unit to switch the appliance ON for the pre-set delay time setting and cannot be used on its own. There is **no neutral** connection on the activator switch.

Typical Product usage

The 376A-3 Activator PIR timer is commonly used to activate Elkay master timer to control all types of lighting loads in communal areas, corridors, and stairwells providing multi-way switching. Applications for suitable use include lighting such as LED lighting, fluorescent and compact fluorescent lighting.

We do not recommend this in bedrooms or sleeping areas as the blue LED can be very bright. Instead use the 376B-1 Elkay 2 wire PIR without an LED locator ring in those areas. For more details of where this product can be used, please contact Elkay Technical.

It fits easily into a British Standard back box of 25mm depth. Any number of activators can be used in a lighting circuit and can also replace intermediate switches.

Key features

- 16A any load type
- 3 wire (Live, Switch live and Trigger)
- No Neutral required
- Blue Locator ring
- Re-set timing sequence at any time during countdown
- One minute countdown LED indicator
- Must be interlinked with Master timer for multi-way switching **.

Technical Specification

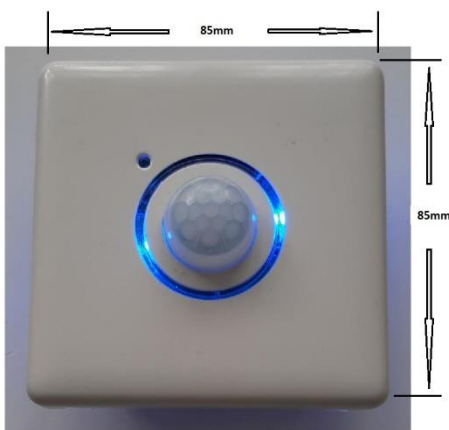
- **Voltage:** 240V a.c.
- **Frequency:** 50/60Hz
- **Operating Temperature:** -10 to 45 °C
- **Timing:** 2 minutes to 2 hours
- **Connections:** Live | Switch Live | Trigger |
- **Loading:** Up to 16A lighting load*.
- **Marking:** CE & UKCA
- **Terminal Capacity:** 2.5mm²
- **Standards:** BS EN 60669, 60669-1, 60669-2-1, 60669-2-3.
- **Power Consumption:** 0.7W
- **Material:** Flame Retardant ABS / UV Resistant
- **Compliances:** RoHS compliant, WEEE Policy, ISO9001, ISO14001.
- **Total Product Weight (each):** 172g
- **Total Plastic Weight (each):** 60.9g

*All lighting load type switching means that all load types such as LED, Fluorescent, Compact fluorescent and Resistive can be switched at 16Amps (3680W) without the need to derate.

**Available Indoor Master Touch switches for this model is the 376A-1 and 370A-1. Please note a 3-core connection is required between Master and Activator. For further details contact Elkay technical.

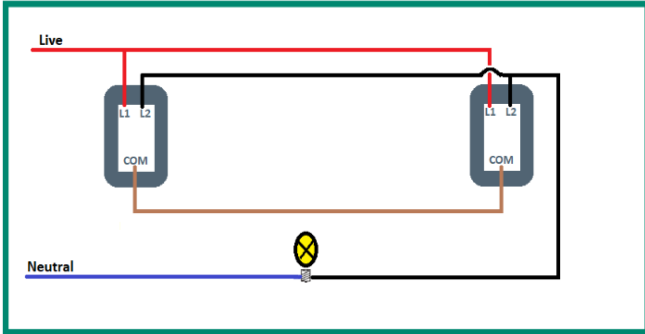
Dimensions –

Front View

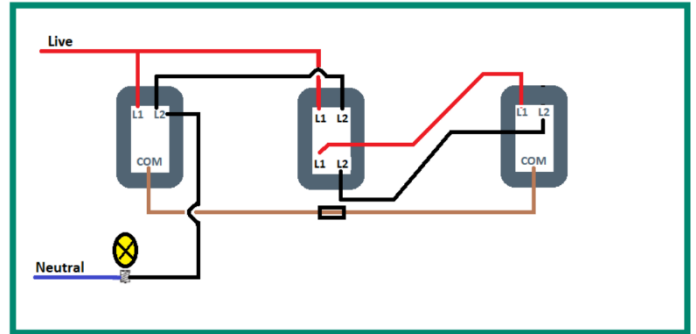


Side View



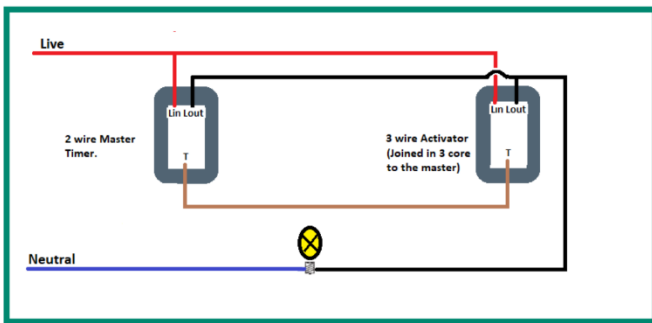


Wiring Diagram for Two way switching.

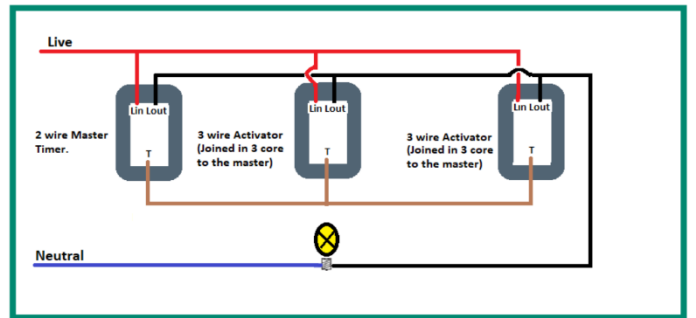


Wiring Diagram for Two way & Intermediate switching.

Above is the standard wiring for Switches and below is the same wiring used to with timeswitches with Masters and Activators connected



Wiring Diagram for Elkay Master and Activator time switching replacing a two-way switch arrangement.



Wiring Diagram for Elkay Master and multiple Activator time switching replacing a two way and intermediate switch arrangement.

Amendments Record

Action	Date
Draft Issue	21/06/2021